



Schlage Connect™

BE469NX, Grade 1

Features

- Grade 1 Highest Residential Security Rating
- Anti-pick shield protects against lock tampering
- Designed for strength and durability, tested beyond 250,000 uses
- Durable resistive touchscreen ensures wear pattern remains undetectable
- Visual screen indicators alert you when access is granted or denied and when batteries are getting low
- Motorized tapered bolt automatically locks and unlocks when code is entered
- Warning beep alerts you when the deadbolt is not fully extended into the door jamb
- Auto-lock feature automatically relocks door anytime it's left unlocked
- Slim exterior prevents interference with storm doors or other door preps



BE469NX deadbolt specifications

Certification	ANSI/BHMA Grade 1
Product Dimensions	(w x h x d) exterior: 3" x 4-3/4" x 1", interior: 3" x 8" x 2"
Weight	3.6 lbs
Warranty	Limited 3 year electronics, limited lifetime mechanical and finish
Battery	Powered by 4 AA batteries (estimated 1 year battery life)
Cylinder	5-pin tumbler, c-key
Outside Lock Body (exterior mounted)	-35C to 66C
Inside Lock Body (interior mounted)	-10C to 49C
Door Thickness	1-3/8" to 1-3/4"; thick door kit extends 1-7/8" to 2-1/2"
Cross Bore Minimum	4" center-to-center distance needed between cross bore holes*
Edge Bore	1"
Latch/Backset	Universal latch fits 2-3/8" or 2-3/4" backset
Latch Faceplate	1" x 2-1/4" round corners and drive-in
Strike	1-1/8" x 2-3/4" round corners, strike reinforcer
Bolt Throw	Motorized
Keys	1 key included
Codes	Pre-set, unique six-digit programming code, 2 pre-set unique 4-digit user codes, storage of up to 30 user codes (4-8 digits)
Communications	900 MHz (Z-Wave® RF)**
Alarm	Built-In Alarm with three modes to detect activity, tamper, or forced entry with selectable sensitivity

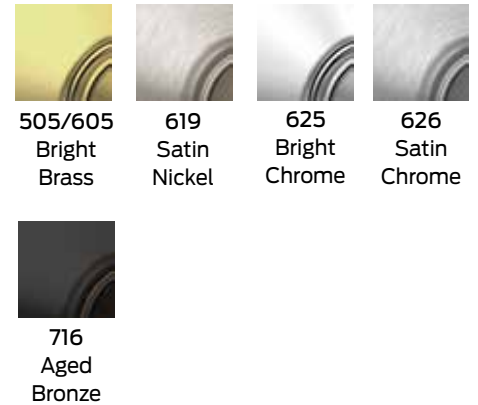
* May require greater than 4" center-to-center bore adjustment if used with non-standard decorative rose install.

** Z-Wave is a registered trademark of Zensys Inc. and/or its subsidiaries.



Visit Schlage.com to learn more.

Finish Options

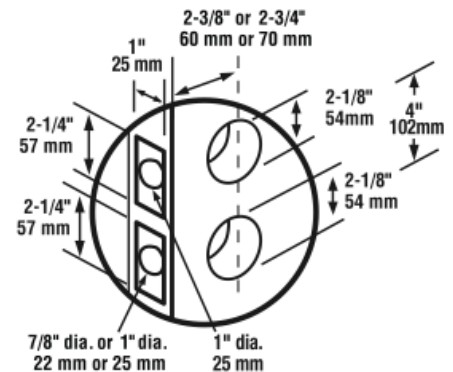


BE Series 505/605 619 625 626 716

BE469NX Camelot ■ ■ ■ ■

BE469NX Century ■ ■ ■ ■

Door Preparation



The BE469NX can also be mounted on doors with a 1.5" (38 mm) bore hole diameter.

About Allegion™

Allegion (NYSE: ALLE) creates peace of mind by pioneering safety and security. As a \$2 billion provider of security solutions for homes and businesses, Allegion employs more than 8,000 people and sells products in more than 120 countries across the world. Allegion comprises more than 25 global brands, including strategic brands CISA®, Interflex®, LCN®, Schlage® and Von Duprin®. For more, visit www.allegion.com

aptiQ ■ LCN ■ **SCHLAGE** ■ STEELCRAFT ■ VON DUPRIN



© 2014 Allegion
MR-2072-BE469NX
Rev. 7-14
allegion.com